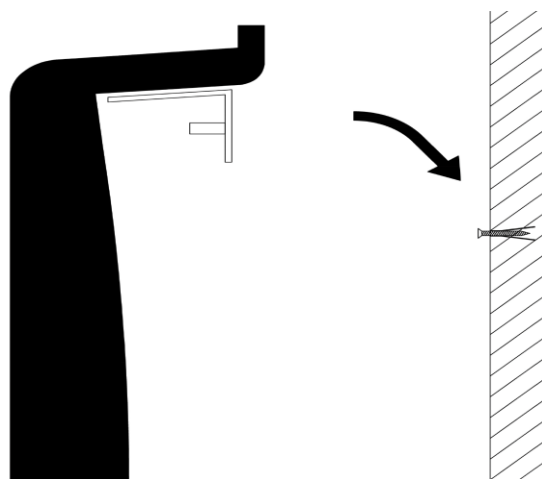


ADASSEMBLY KIT FOR SUITEPAD

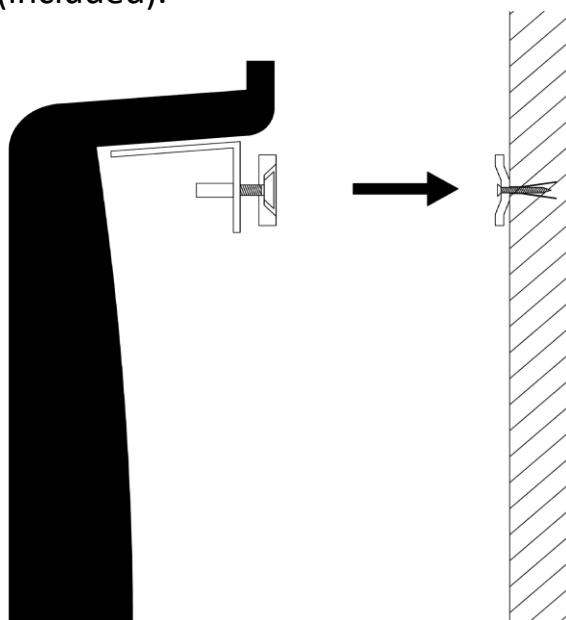
KIT WALL



DESCRIPTION

Sound-absorbing panel with provision for wall fixing by means of metal brackets which are anchored to mechanical fasteners (included).

KIT MAGNETIC



DESCRIPTION

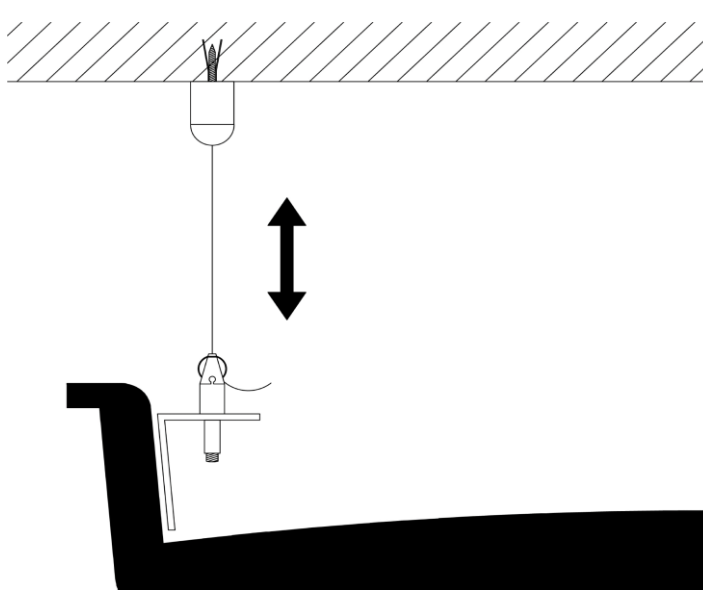
Sound-absorbing panel with provision for traction fixing by means of 4 magnets placed on the panel with countersunk screws and 4 suitably shaped metal plates fixed to the wall with mechanical fixings (included).

KIT CEILING

DESCRIPTION

Sound-absorbing panel with provision for fixing spaced from the intrados by means of special clamps screwed on the panel brackets that allow adjustment and 4 steel cables 1 m long.

These cables are fixed to the intrados by means of a terminal with a pleasant aesthetic effect and mechanical fixings (included).



KIT CEILING MAGNETIC

DESCRIPTION

Sound-absorbing panel with provision for fixing spaced from the intrados by means of special clamps screwed on the panel brackets that allow adjustment and 4 steel cables 1 m long.

These cables are fixed to the intrados by means of a terminal with a pleasant aesthetic effect on which the magnet is placed with a countersunk screw and 4 suitably shaped metal plates fixed to the intrados with mechanical fixings (included).

